

DTSF523 three-phase electronic multi-tariff watt-hours meter

Summary

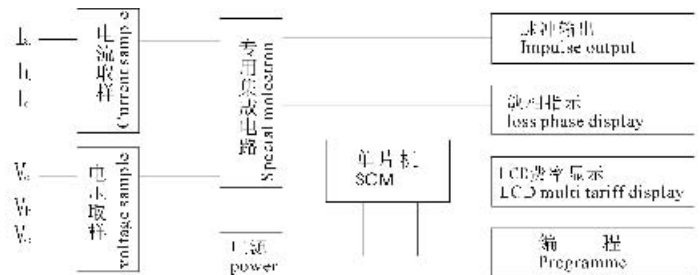
DTSF523 series electronic multi tariff watt-hour meter, it adopt good wire performance and high reliability molectron, choose wide current range and good wire performance current transformer, it use modern micro processor. This kind of meter has character of special design, excellent technology, good electromagnet capacity. It have more character than traditional induction meter, such as, high accuracy, high reliability, small bulk, light weight, low loss, it is very easy to carry out model management, it means one meter has many use.

Working principlum

Make current and voltage mold signal, it change electricity into direct ratio digital, and then and sent to machine and process all kinds of digital needed and finish multi tariff function. Please refer to the picture as follows:

Function

1. peak, level, off-peak three phase electricity 2.8 period of times
3. Time display
4. It can display all kinds of parameter by LCD
5. It has function of loss phase inspection
5. It can carry out period of time set up, time adjust, time exam through button switch.



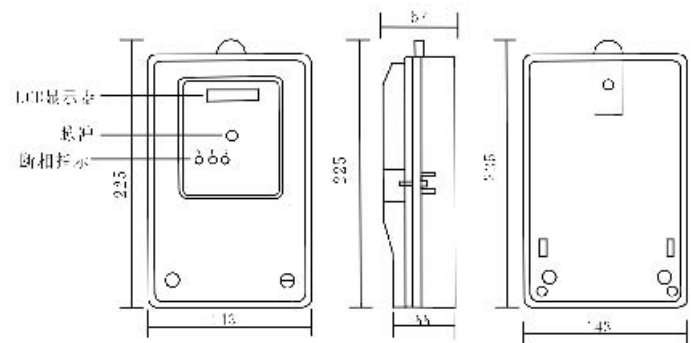
Specification and main technical data

Type	Accurocy(class)	Reference voltage(V)	Basic current Ib(A)	Referencefrequency(Hz)	Start current(A)
DTSF523	1.0~2.0	3 x 220/380 3 x 240/415	3 x 1.5(6) 3 x 5(20) 3 x 20(80) 3 x 30(100) 3 x 5(30) 3 x 10(60)	50~60	≤0.005Ib



DTSF523

Mount dimension



Wiring diagram

